

# Optronis

*Make time visible*

## CamRecord

### CR3000x2



**HIGH-SPEED VIDEO CAMERA**

# new

- > **540 fps with 1696 x 1710 Pixel**
- 1000 fps with 1200 x 1200 Pixel**
- 5000 fps with 480 x 480 Pixel**
- > **Very compact housing**
- > **Gigabit ethernet interface**
- > **Monochrome and color sensor**
- > **Up to 8 GB internal memory**
- > **User friendly software**

# CamRecord CR3000x2

To capture movement does not mean to lose dynamics.

## Performance (Examples)

Framerate / second (maximum)	Resolution (H x V)	Recording Time (8 GB, 8 Bit, max. Frame-rate)
540 fps	1696 x 1710	5,5 sec
1 000 fps	1200 x 1200	5,5 sec
2 000 fps	860 x 800	5,5 sec
5 000 fps	480 x 480	5,5 sec
100 000 fps Max. Speed	96 x 38	5,5 sec

## Model Overview

CR3000x2 /options	Description
/2GB /4GB or /8GB	Memory size in GigaByte
/M or /C	Monochrome or color sensor
/FM or /CM	Nikon F-Mount or C-Mount

## Optional Accessories

LabView driver (Part number CR-LabView)

Software development kit (Part number CR-SDK)

Lenses, lights, tripod, trigger switches and more accessories on request.

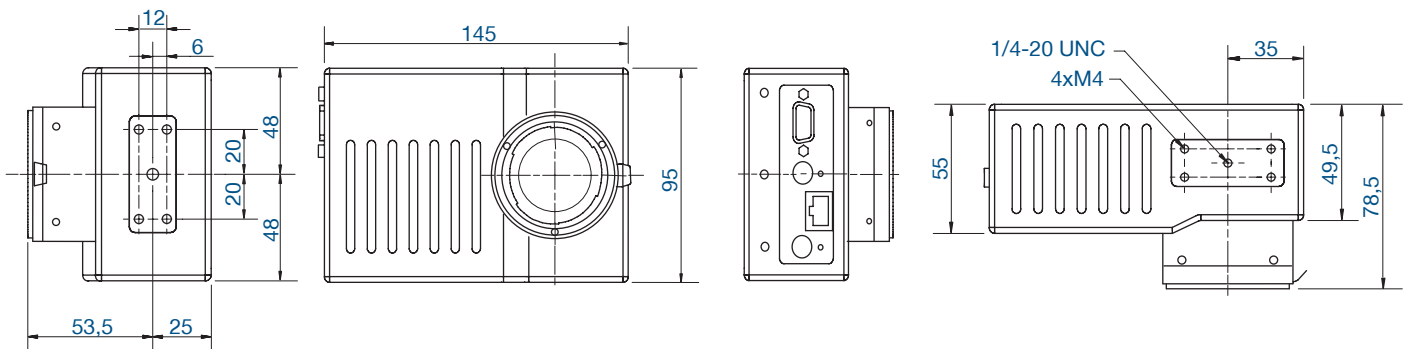
## Connector Pin Assignment

4-pin LEMO FGG0B304CLAD52Z

Pin 1	Sync IN	Pin 3	GND
Pin 2	Trig IN	Pin 4	Sync OUT

## Specifications

Sensor Resolution	1696 x 1710 pixel
Frame Rate @ Max. Sensor Res.	540 fps
Image Sensor	Progressive Scan CMOS
Exposure Time	2 $\mu$ s - 1/Framerate
Active Area	13,57 mm x 13,68 mm
Sensor Diagonal Dimension	19,27 mm
Pixel Size	8 $\mu$ m
A/D Conversion	8 Bit
Dynamic	8 Bit
Sensitivity	3,8 V/lux*second (monochrome)
Shutter Efficiency	global electronic shutter, min. 2 $\mu$ s exposure time / > 99.9 %
Trigger Signal	TTL, switch, open collector, rising or falling edge, on image content variation
Synchronization	internal, external
Interface	Gigabit Ethernet
Video Output	VGA
Power	12 VDC / 12 W
Lens Mount	Nikon F-Mount (optional C-Mount)
Weight	1050 g
Operating Temperature	0 .. 40°C
Humidity	< 80 % relative, non-codensed
Dimensions	145 mm x 95 mm x 78,5 mm
Conformity	CE, RoHS
Scope of delivery	Camera CR3000x2, 5 m GigE cable, power supply, manual, trigger cable and TimeBench software for Windows XP, Vista and Windows 7.



The information given herein is believed to be reliable, however Optronis makes no warranties as to its accuracy or completeness. Data sheet is subject to modifications at any time. 01/2011