

Optronis

Make time visible

CamRecord

CR450x3



HIGH-SPEED VIDEO CAMERA

**Compact and light sensitive
High-Speed camera**

new

- > **Up to 10.000 fps (images/second)**
- > **Very compact housing**
- > **Very high light sensitivity**
- > **Resolution up to 1024 x 1024 pixel**
- > **Gigabit Ethernet Interface**
- > **Monochrome or color sensor**
- > **Up to 16 GigaByte internal ring memory**
- > **User friendly software**

www.optronis.com

CamRecord CR450x3

To capture movement does not mean to lose dynamics

Performance

Framerate / second (maximum)	Resolution (hor. x ver.)	Recording Time (16GB, max. Framerate)
300 fps	1024 x 1024	52,9 sec.
500 fps	1024 x 768	42,3 sec.
1 000 fps	800 x 600	35,1 sec.
2 000 fps	600 x 400	34,4 sec.
3 000 fps	400 x 256	51,7 sec.
5 000 fps	320 x 200	51,1 sec.
10 000 fps	160 x 100	89,2 sec.

Connector Pin Assignment

4-pin LEMO FGG0B304CLAD52Z

Pin 1	Sync IN	Pin 3	GND
Pin 2	Trig IN	Pin 4	Sync OUT

Optional Accessories

LabView driver (Part number: CR-LabView)

Software development kit (Part number: CR-SDK)

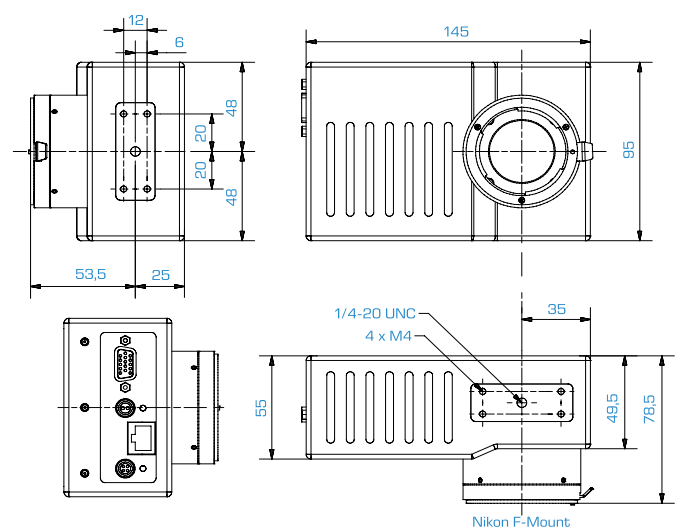
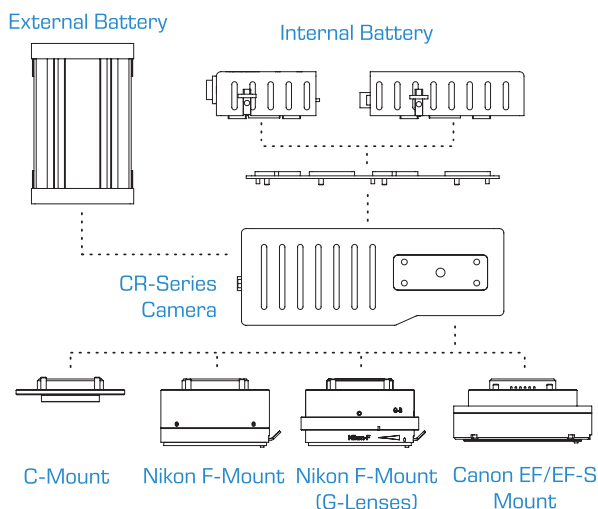
Lenses, lights, tripods, trigger switches and more accessories on request.

Model Overview

CR450x3 /options	Description
/1GB /2GB /4GB /8GB or /16GB	Memory size in Giga Byte
/M or /C	Monochrome or color sensor
/FM , /CM ,	Nikon F-Mount , C-Mount
/FMG	Nikon FG-Mount (Aperture ring is controlled manually at mount)
/EM	Canon EF/EFS-Mount (Aperture and focus are controlled by software)
/BI	Internal Battery (Accu-Pack)

Specifications

Maximum Resolution	1024 x 1024 pixel
Frame Rate @ max. Resolution	300 fps
Image Sensor	Progressive Scan CMOS
Exposure Time	1 μ s - 1/Framerate
Active Area	14,34 mm x 14,34 mm
Sensor Diagonal Dimension	20,28 mm
Pixel Size	14 μ m
A/D Conversion	8 bit
Dynamic	48 dB
Sensitivity	25 V/lux*second
Shutter	global electronic, >1 μ s exposure time
Trigger Signal	TTL, switch, open collector, rising or falling edge, on image content variation
Synchronization	internal, external
Interface	Gigabit Ethernet
Video Output	VGA
Power	12 VDC / 12 W
Lens Mount	Nikon F-Mount (optional: C-, FG- or Canon EF/EFS-Mount)
Weight	1.050 g
Operating Temperature	0 .. 40°C
Humidity	< 80 % relative, non-condensed
Dimensions	145 mm x 95 mm x 78,5 mm
Conformity	CE, RoHS
Scope of delivery	Camera CR450x3, 5 m Gig-E cabel, power supply, Quick start guide, manual on CD, transport case, and TimeBench Software for Windows: Vista and 7.



The information given herein is believed to be reliable, however Optronis makes no warranties as to its accuracy or completeness. Data sheet is subject to modifications at any time. 04/2012

Optronis

Make time visible

Optronis GmbH
Honsellstr. 8
77694 Kehl, Germany

Telefon +49 (0) 78 51 / 9126 - 0
Telefax +49 (0) 78 51 / 9126 - 10

E-Mail: info@optronis.com
www.optronis.com