

# Optronis

*Make time visible*

## CamRecord

### CR1000x3



## HIGH-SPEED VIDEO CAMERA

**Compact and light sensitive  
High-Speed camera**

**new**

- > **Up to 20.000 fps (images/second)**
- > **Very compact housing**
- > **Very high light sensitivity**
- > **Resolution up to 1280 x 1024 pixel**
- > **Gigabit Ethernet Interface**
- > **Monochrome or color sensor**
- > **Up to 16 GigaByte internal ring memory**
- > **User friendly software**

[www.optronis.com](http://www.optronis.com)

# CamRecord CR1000x3

To capture movement does not mean to lose dynamics

## Performance

Framerate / second (maximum)	Resolution (hor. x ver.)	Recording Time (16GB, max. Framerate)
1 000 fps	1280 x 1024	13,1 sec.
1 500 fps	1280 x 768	11,6 sec.
1 500 fps	1024 x 768	14,6 sec.
2 000 fps	800 x 600	17,9 sec.
4 000 fps	600 x 400	17,6 sec.
6 000 fps	400 x 300	22,9 sec.
8 000 fps	384 x 256	21,8 sec.
10 000 fps	320 x 200	26,8 sec.
20 000 fps	160 x 100	33,5 sec.

## Connector Pin Assignment

4-pin LEMO FGG0B304CLAD52Z

Pin 1	Sync IN	Pin 3	GND
Pin 2	Trig IN	Pin 4	Sync OUT

## Optional Accessories

LabView driver (Part number: CR-LabView)

Software development kit (Part number: CR-SDK)

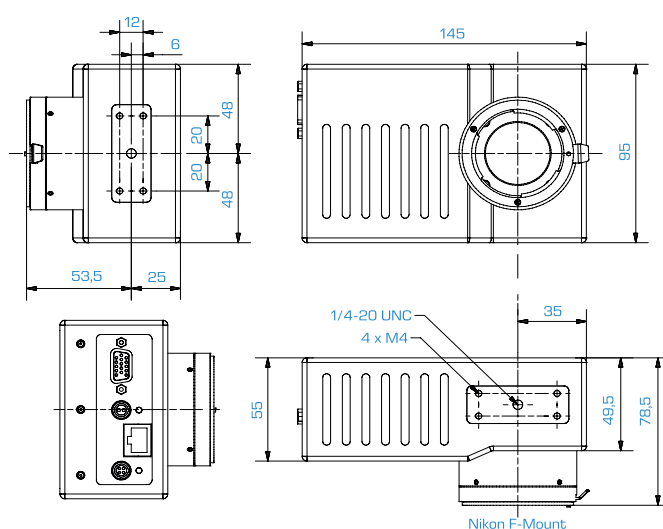
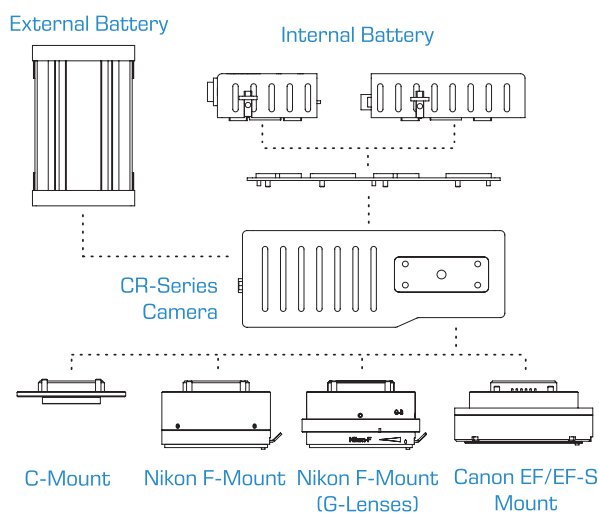
Lenses, lights, tripods, trigger switches and more accessories on request.

## Model Overview

CR1000x3 /options	Description
/2GB /4GB /8GB or /16GB	Memory size in Giga Byte
/M or /C	Monochrome or color sensor
/FM , /CM ,	Nikon F-Mount , C-Mount
/FMG	Nikon FG-Mount (Aperture ring is controlled manually at mount)
/EM	Canon EF/EFS-Mount (Aperture and focus are controlled by software)
/BI	Internal Battery (Accu-Pack)

## Specifications

Maximum Resolution	1280 x 1024 pixel
Frame Rate @ max. Resolution	1.000 fps
Image Sensor	Progressive Scan CMOS
Exposure Time	2 $\mu$ s - 1/Framerate
Active Area	10,24 mm x 8,19 mm
Sensor Diagonal Dimension	13,11 mm
Pixel Size	8 $\mu$ m
A/D Conversion	8 bit
Dynamic	8 bit
Sensitivity	3,8 V/lux*second
Shutter	global electronic, >2 $\mu$ s exposure time
Trigger Signal	TTL, switch, open collector, rising or falling edge, on image content variation
Synchronization	internal, external
Interface	Gigabit Ethernet
Video Output	VGA
Power	12 VDC / 12 W
Lens Mount	Nikon F-Mount (optional: C-, FG- or Canon EF/EFS-Mount)
Weight	1.050 g
Operating Temperature	0 .. 40°C
Humidity	< 80 % relative, non-condensed
Dimensions	145 mm x 95 mm x 78,5 mm
Conformity	CE, RoHS
Scope of delivery	Camera CR1000x3, 5 m Gig-E cabel, power supply, Quick start guide, manual on CD, transport case, and TimeBench Software for Windows: Vista and 7.



The information given herein is believed to be reliable, however Optronis makes no warranties as to its accuracy or completeness. Data sheet is subject to modifications at any time. 04/2012

**Optronis**

Make time visible

Optronis GmbH  
Honsellstr. 8  
77694 Kehl, Germany

Telefon +49 (0) 78 51 / 9126 - 0  
Telefax +49 (0) 78 51 / 9126 - 10

E-Mail: info@optronis.com  
www.optronis.com